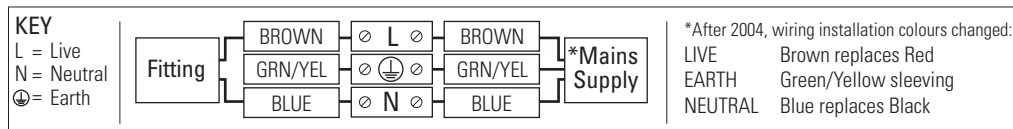


These instructions are provided for your safety in order to prevent the risk of Fire, Electric shock or Injury. It is vitally important that they are read in their entirety before installing your fitting. Please retain for future reference.

1. If you are in any doubt consult a qualified electrician as to the installation of the fitting. Install in accordance with current IEE wiring regulations. It is recommended that this fitting is installed by a qualified electrician.
2. Ensure that the electrical supply is OFF. Disconnect the electrical supply at the fuse-board.
3. If removing an existing fitting first, note all wiring connections: record which of the house wires is connected to the live, neutral and earth terminals.
4. Carefully identify where the supply cable is (and check there are no other cables in the area) to avoid damage to concealed wiring during installation.
5. Position the light where desired ensuring that there is suitable support adjacent to where you will connect to the house supply and mark position of fixing holes, before drilling appropriate holes as below.
 - a. Brick or masonry: Drill holes into which the wall plugs tightly fit, then insert wall plugs.
 - b. Wood: No hole necessary (unless small pilot hole required), screws can be screwed directly into the timber.
 - c. Plaster/Cavity: Special cavity wall fittings are required, rather than provided fixings. These are widely available from good hardware or DIY store and should come with their own instructions that must be followed. It may be easier to relocate the fitting so that you screw directly into a timber joist or beam.
7. Support the fitting so that no strain is applied to the wiring when making the electrical connections. If necessary get a colleague to help.
8. Electrical connection: this light fitting must be earthed. Make connections following the diagram below.



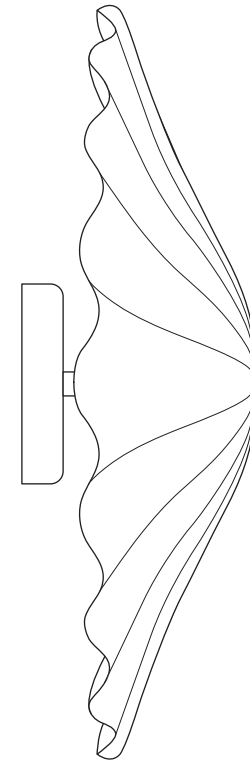
9. Double check all the connections are secure and that no loose strands of wire are left out of the connectors.
10. Check that no wires are trapped behind or within the fitting and complete the installation, referring to the Installation diagram inside.
11. Fit the correct type and wattage of lamps (or less). Be careful not to overtighten the lamps.
12. Switch on at the fuse-board. Your light fitting is now ready for use.

Other Important Information

Switch off at mains before changing lamp(s). Never fit a lamp of greater wattage than recommended. Ensure children do not play with the light fitting. Dispose of old lamps carefully. Never leave a fitting without a lamp in position (or someone can accidentally touch the contacts). Adjust fitting only when power to the fitting is off and has been left to cool. If the external flexible cable or cord of this luminaire is damaged, it shall be exclusively replaced by the manufacturer or his service agent or a similar qualified person in order to avoid a hazard. For use in a dry, indoor environment only. Ensure the fitting does not come into contact with any liquids.

Cleaning and Maintenance

Bone china can be cleaned using a soft damp cloth with a diluted mild detergent, where necessary. Metal finishes should be cleaned with a soft dry cloth - do not use polish or abrasives. Spare parts are available for this light, please contact us using the information below.



Established in 1990, Original BTC manufactures relaxed, familiar lighting for traditional and contemporary homes. All products are hand-assembled in Oxfordshire from high quality components, produced in the UK.

ORIGINALBTC.COM
 +44 (0)1993 882 251
 UNIT 21 / 22 AVENUE ONE, STATION LANE, WITNEY, OX28 4XZ, ENGLAND



ORIGINAL BTC
 BRITISH LIGHTING MANUFACTURERS
 LONDON - NEW YORK - PARIS





Christie Wall Light

| 230V AC 50Hz | IP20 |

FW712/ANT Christie Wall Light, Antique Brass

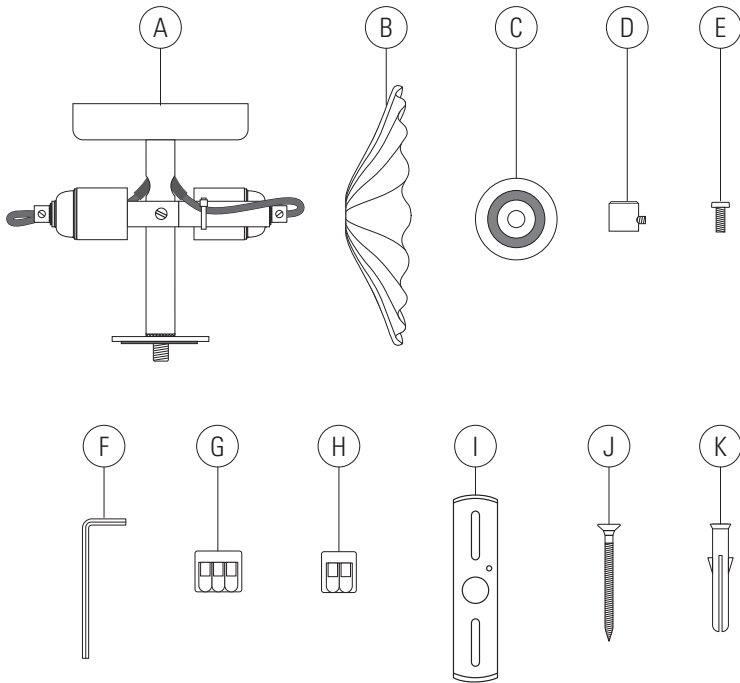
LAMP GUIDANCE : NB lamp not included

BASE	SHAPE	TYPE	WATTAGE*
		LED**	6W (recommended)
E27	GLS	Incandescent	N/A

* Wattage value provided as a guide to suitable lamps. Lower wattage than stated may be used. 2700K (warm white) recommended.

** Dimming performance dependant upon lamp used.

Contents



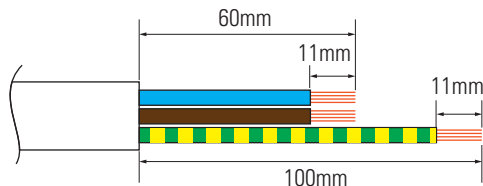
Contents

- A Main body
- B Shade
- C Shade disc
- D Shade locking finial
- E Antique brass screws (x2)
- F Hex wrench
- G 3-way connector block (x2)
- H 2-way connector block
- I Fixing bracket
- J Fixing screws (x2)
- K Rawl plugs (x2)

Tools Required

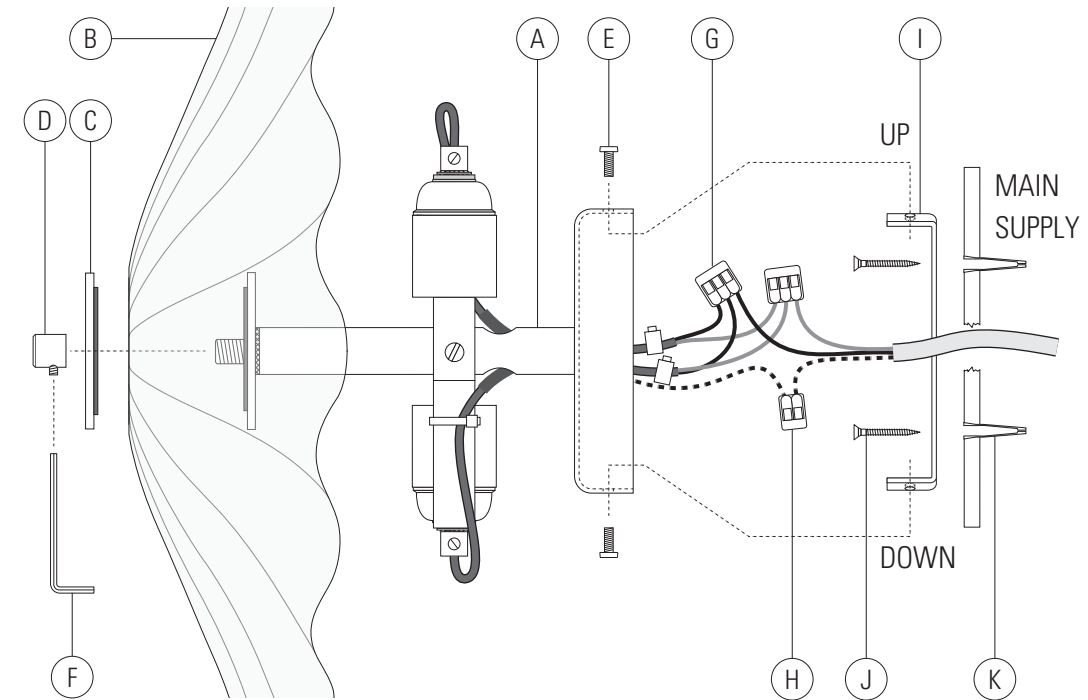
- Cross head screwdriver
- Flat-head screwdriver
- Drill (if holes are required)

Supply Cable Preparation



Please prepare the supply cable as shown. Note the maximum conductor size is 4.0mm².

Installation Diagram & Instructions



CAUTION

THIS PRODUCT IS MADE FROM FINE BONE CHINA. EXCESSIVE FORCE USED DURING INSTALLATION OR OPERATION CAN CAUSE DAMAGE OR BREAKAGES.



- STEP 1** Mark and drill suitable fixing holes, referring to points 1 to 6 on the back page.
- STEP 2** Secure the fixing bracket (I) to the wall, using the screws (J) and Rawl plugs (K) supplied, or other suitable fixings as described in point 6 on the back page. Ensure the side fixing holes on the bracket (I) are pointing up and down (see diagram).
- STEP 3** Make the electrical connections using the connector blocks (G, H) provided. Refer to points 8 to 10 on the back page, and the diagram on the opposite page.
- STEP 4** Secure the main body of the light fitting (A) to the bracket (I) using the two antique brass screws (E).
- STEP 5** Assemble the shade (B) as shown in the diagram above. Use the hex wrench (F) to tighten the grub screw in the locking finial (D) to secure the shade.

PLEASE READ THE INSTRUCTIONS ON THE REVERSE BEFORE YOU BEGIN INSTALLING YOUR LIGHT