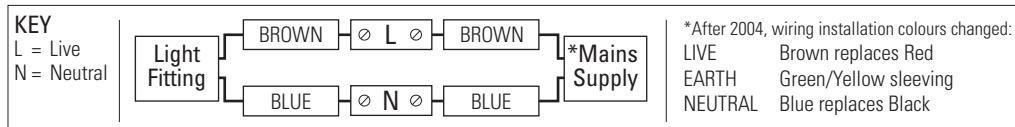


Safety & Installation Instructions

v1.1-09.24

These instructions are provided for your safety in order to prevent the risk of Fire, Electric shock or Injury. It is vitally important that they are read in their entirety before installing your fitting. Please retain for future reference.

1. If you are in any doubt consult a qualified electrician as to the installation of the fitting. Install in accordance with current IEE wiring regulations. It is recommended that this fitting is installed by a qualified electrician.
2. Ensure that the electrical supply is OFF. Disconnect the electrical supply at the fuse-board.
3. If removing an existing fitting first, note all wiring connections: record which of the house wires is connected to the live, neutral and earth terminals.
4. Carefully identify where the supply cable is (and check there are no other cables in the area) to avoid damage to concealed wiring during installation.
5. Position the light where desired ensuring that there is suitable support adjacent to where you will connect to the house supply and mark position of fixing holes, before drilling appropriate holes as below.
6.
 - a. Brick or masonry: Drill holes into which the wall plugs tightly fit, then insert wall plugs.
 - b. Wood: No hole necessary (unless small pilot hole required), screws can be screwed directly into the timber.
 - c. Plaster/Cavity: Special cavity wall fittings are required, rather than provided fixings. These are widely available from good hardware or DIY store and should come with their own instructions that must be followed. It may be easier to relocate the fitting so that you screw directly into a timber joist or beam.
7. Once desired drop determined, adjust the flex length accordingly. Consult an electrician if in any doubt.
 - Use wire cutters to cut flex at desired length and then remove 15mm of the cotton braid and outer insulation (making sure no damage occurs to the interior cables). Apply electrical tape around the end of the cotton braid to prevent fraying.
 - Remove 5mm of insulation from the conductors, ready to be wired into a connector block.
8. Support the fitting so that no strain is applied to the wiring when making the electrical connections. If necessary get a colleague to help.
9. Electrical connection: this light fitting is double insulated, DO NOT connect to an Earth wire or terminal. Make connections using the connector blocks, following the diagram below.



10. Double check all the connections are secure and that no loose strands of wire are left out of the connector.
11. Check that no wires are trapped behind or within the fitting and complete the installation, see hanging instructions inside.
12. Fit the correct type and wattage of lamp (or less). Be careful not to overtighten the lamp.
13. Switch on at the fuse-board. Your light fitting is now ready for use.

Other Important Information

Switch off at mains before changing lamp(s). Never fit a lamp of greater wattage than recommended. Ensure children do not play with the light fitting. Dispose of old lamps carefully. Never leave a fitting without a lamp in position (or someone can accidentally touch the contacts). Adjust fitting only when power to the fitting is off and has been left to cool. If the external flexible cable or cord of this luminaire is damaged, it shall exclusively be replaced by the manufacturer or his service agent, or similar suitably qualified person in order to avoid a hazard. For use in a dry, indoor environment only. Ensure the fitting does not come into contact with any liquids.

Cleaning and Maintenance

Bone china can be cleaned by hand, using a soft damp cloth with a diluted mild detergent (nonabrasive) if necessary. Metal finishes should only be cleaned with a soft, dry cloth. Do not use polishes or abrasives. Switch off power to the fitting before cleaning. Spare parts are available for this light, contact us using the details below.

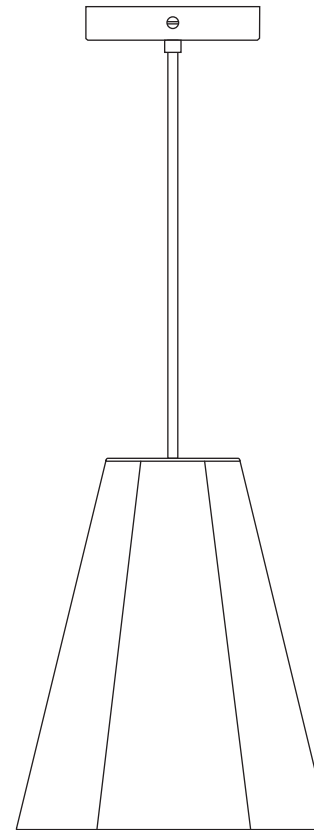
Established in 1990, Original BTC manufactures relaxed, familiar lighting for traditional and contemporary homes. All products are hand-assembled in Oxfordshire from high quality components, produced in the UK.

ORIGINALBTC.COM
+44 (0)1993 882 251
UNIT 21 / 22 AVENUE ONE, STATION LANE, WITNEY, OX28 4XZ, ENGLAND

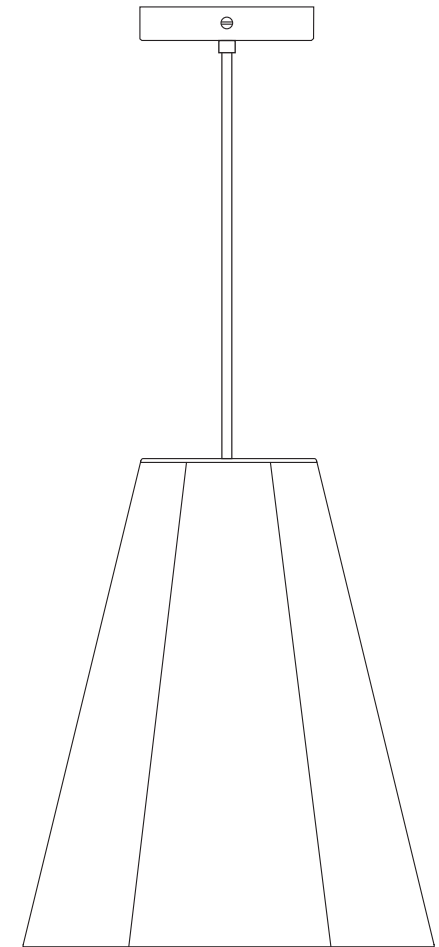


Blossom Pendants

Instruction Manual



Size 1
FP710



Size 2
FP711

ORIGINAL BTC
BRITISH LIGHTING MANUFACTURERS
LONDON - NEW YORK - PARIS






Blossom Pendants

| 230V AC 50Hz | IP20 |

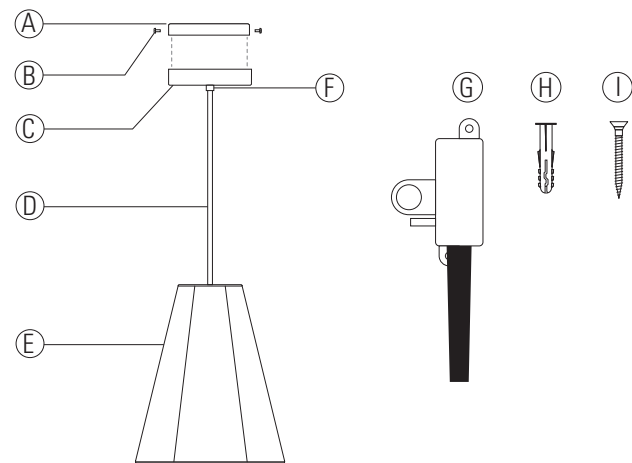
FP710 - Size 1 Pendant

FP711 - Size 2 Pendant

LAMP GUIDANCE			
BASE	SHAPE	TYPE*	WATTAGE**
			FP710/FP711
		INCANDESCENT	N/A
E27	GLS	CFL	N/A
		ECO-HALOGEN	N/A
	BALL	LED	6W

* Warm white (2700k) low energy lamps recommended.
 ** Wattage value provided as a guide to suitable lamps. Lower wattage than stated may be used.

Contents



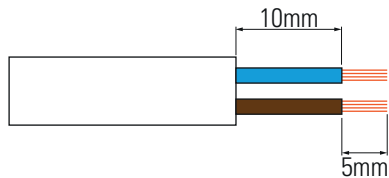
Contents

- A Fixing plate
- B Brass screws (x2)
- C Ceiling rose
- D Cable
- E Shade
- F Cord grip
- G Connector
- H Rawl plug (x2)
- I Fixing screw (x2)

Tools Required

- Pozidriv screwdriver
- Small flat-head screwdriver
- Drill (if holes are required)

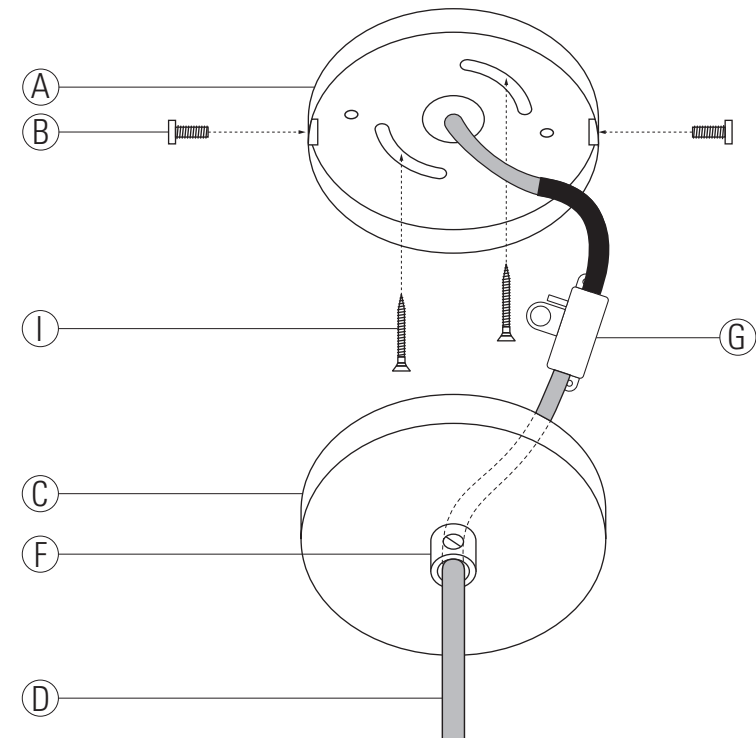
Main Supply Cable Preparation



Please prepare the supply cable as shown. Note the maximum conductor size 1.5mm².

PLEASE READ THE INSTRUCTIONS ON THE REVERSE BEFORE YOU BEGIN INSTALLING YOUR LIGHT

Installation Diagram



Installation Instructions

STEP 1 - Read through all the instructions, including those on the back page, before starting any work. We recommend this fitting is installed by a qualified electrician.

STEP 2 - Mark & drill suitable fixing holes, using the fixing plate (A) as a guide to mark the hole positions. Refer to points 1 to 6 on the back page. Secure the fixing plate to the ceiling using the screws (I) and rawl plugs (H) provided (if required). Take care to avoid damaging the main supply cable when inserting the screws.

STEP 3 - Shorten the luminaire cable (D), if necessary. Allow for at least 10cm of slack for wiring the light. Refer to point 7 on the back page.

STEP 4 - Make the connections to the main supply, using the connector block (G) provided. Refer to the cable stripping diagram on the page opposite and points 8 to 10 on the back page.

STEP 5 - Secure the cable in place by tightening the grub screw on the cord grip (F). Do not overtighten the grub screw, as this can damage the cable.

STEP 6 - Secure the ceiling rose (C) to the fixing plate (A) using the two brass screws (B)