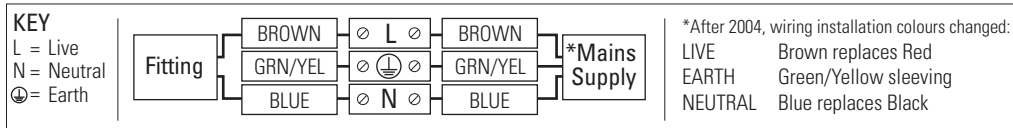


Safety & Installation Instructions

v1.4-10.22

These instructions are provided for your safety in order to prevent the risk of Fire, Electric shock or Injury. It is vitally important that they are read in their entirety before installing your fitting. Please retain for future reference.

1. If you are in any doubt consult a qualified electrician as to the installation of the fitting. Install in accordance with current IEE wiring regulations. It is recommended that this fitting is installed by a qualified electrician.
2. Ensure that the electrical supply is OFF. Disconnect the electrical supply at the fuse-board.
3. If removing an existing fitting first, note all wiring connections: record which of the house wires is connected to the live, neutral and earth terminals.
4. Carefully identify where the supply cable is (and check there are no other cables in the area) to avoid damage to concealed wiring during installation.
5. Position the light where desired ensuring that there is suitable support adjacent to where you will connect to the house supply and mark position of fixing holes, before drilling appropriate holes as below.
6. a. Brick or masonry: Drill holes into which the wall plugs tightly fit, then insert wall plugs.
b. Wood: No hole necessary (unless small pilot hole required), screws can be screwed directly into the timber.
c. Plaster/Cavity: Special cavity wall fittings are required, rather than provided fixings. These are widely available from good hardware or DIY store and should come with their own instructions that must be followed. It may be easier to relocate the fitting so that you screw directly into a timber joist or beam.
7. Support the fitting so that no strain is applied to the wiring when making the electrical connections. If necessary get a colleague to help.
8. Electrical connection: this light fitting must be earthed. Make connections following the diagram below. A small flat-head screwdriver is required.



9. Double check all the connections are secure and that no loose strands of wire are left out of the connector.
10. Check that no wires are trapped behind or within the fitting and complete the installation, referring to the Installation diagram inside.
11. Fit the correct type and wattage of lamp (or less). Be careful not to overtighten the lamp.
12. Switch on at the fuse-board. Your light fitting is now ready for use.

Other Important Information

Switch off at mains before changing lamp(s). Never fit a lamp of greater wattage than recommended. Ensure children do not play with the light fitting. Dispose of old lamps carefully. Never leave a fitting without a lamp in position (or someone can accidentally touch the contacts). Adjust fitting only when power to the fitting is off and has been left to cool. If the external flexible cable or cord of this luminaire is damaged, it shall be exclusively replaced by the manufacturer or his service agent or a similar qualified person in order to avoid a hazard. For use in a dry, indoor environment only. Ensure the fitting does not come into contact with any liquids.

Cleaning and Maintenance

All brass components can be cleaned with a metal polish to remove tarnishing with the exception of the flexible arm. **Do not use polishes or abrasives on the flexible arm as this may compromise the fittings ability to maintain its shade position.** Bone china can be cleaned by hand, with a soft damp cloth with a diluted, mild detergent (nonabrasive) if necessary. The painted metal parts can be cleaned with a soft dry cloth. Switch off power to the fitting before cleaning.

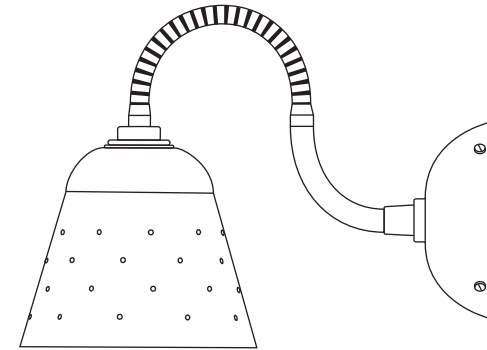
Established in 1990, Original BTC manufactures relaxed, familiar lighting for traditional and contemporary homes. All products are hand-assembled in Oxfordshire from high quality components, produced in the UK.

ORIGINALBTC.COM
+44 (0)1993 882 251
UNIT 21 / 22 AVENUE ONE, STATION LANE, WITNEY, OX28 4XZ, ENGLAND

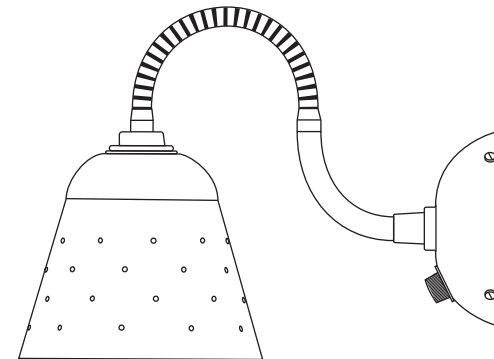


Alma Wall Light Instruction Manual

FW701 & FW702



FW701



FW702

ORIGINAL BTC x BEATA HEUMAN





Alma Wall Light

| 230V AC 50Hz | IP20

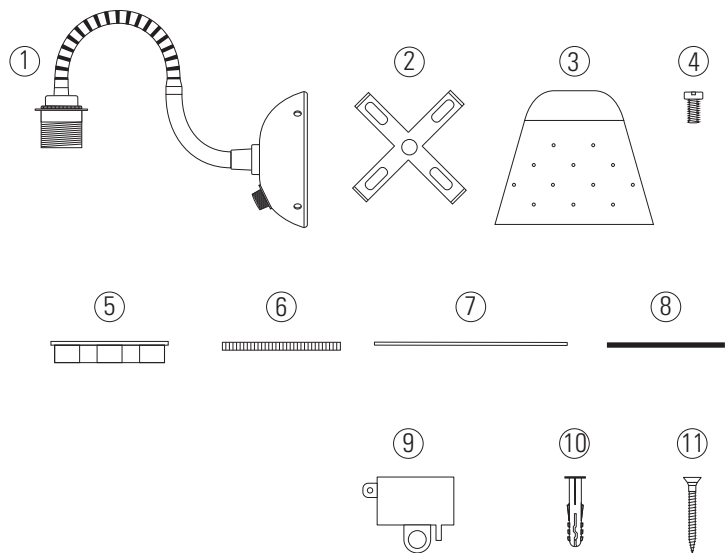
- FW701N Alma Wall Light, Natural
- FW701R Alma Wall Light, Coral
- FW701G Alma Wall Light, Seaweed

- FW702N Alma Wall Light, With Dimmer, Natural
- FW702R Alma Wall Light, With Dimmer, Coral
- FW702G Alma Wall Light, With Dimmer, Seaweed

LAMP GUIDANCE : NB lamp not included			
BASE	SHAPE	TYPE	WATTAGE*
 E27	 GLS	LED**	6W (recommended)
		Incandescent	40W Max

* Wattage value provided as a guide to suitable lamps. Lower wattage than stated may be used. 2700K (warm white) recommended.
 ** Dimming performance dependant upon lamp used.

Contents



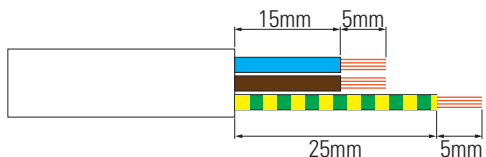
Contents

- 1 Main body
- 2 Wall bracket
- 3 Shade
- 4 Brass screws (x4)
- 5 Plastic shade ring
- 6 Brass shade ring (x3)
- 7 Brass shade disc
- 8 Rubber gasket
- 9 Connector block
- 10 Rawl plug (x2)
- 11 Fixing screw (x2)

Tools Required:

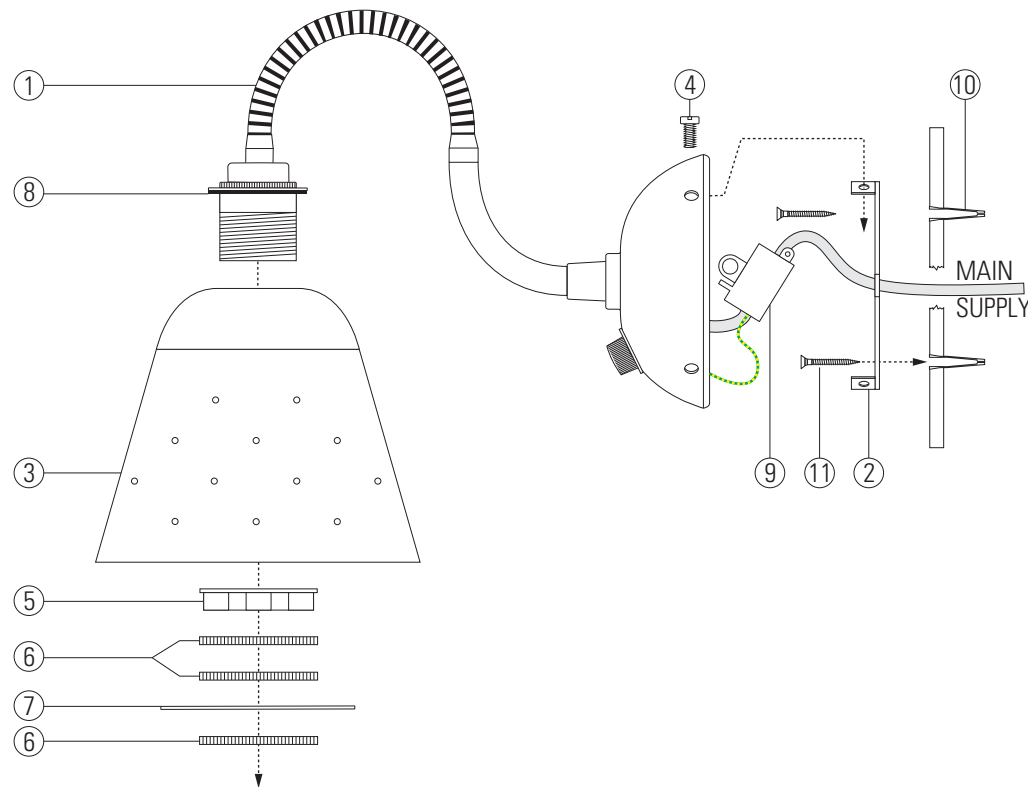
- Cross head screwdriver
- Small flat-head screwdriver
- Drill (if holes are required)

Supply Cable Preparation



Please prepare the supply cable as shown. Note the maximum conductor size 1.5mm².

Installation Diagram



Installation Instructions

Refer to the diagrams and read the Safety & Installation instructions overleaf.

Take care when handling ceramic products during installation.

STEP 1 - Mark and drill fixing holes, referring to points 1 to 6 on the back page.

STEP 2 - Secure the fixing bracket (2) to the wall, using the screws (11) and rawl plugs (10) supplied, or other fixings as described in point 6 on the back page.

STEP 3 - Make the electrical connections using the connector block (9) provided. Refer to points 8 to 10 on the back page, and the diagram on the opposite page.

STEP 4 - Secure the light fitting (1) to the bracket using the four brass screws (4).

STEP 5 - Assemble the shade (3) as shown in the diagram above. The plastic shade ring (5) acts as a spacer and the first brass shade ring (6) secures it in place. The brass shade disc (7) is held in position by the remaining brass shade rings.

PLEASE READ THE INSTRUCTIONS ON THE REVERSE BEFORE YOU BEGIN INSTALLING YOUR LIGHT