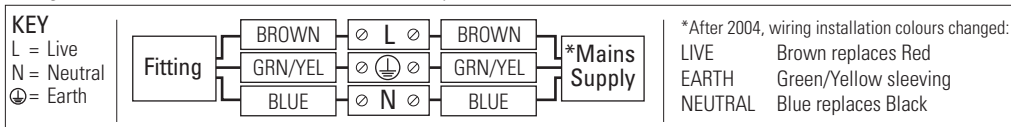


These instructions are provided for your safety in order to prevent the risk of Fire, Electric shock or Injury. It is vitally important that they are read in their entirety before installing your fitting. Please retain for future reference.

1. If you are in any doubt consult a qualified electrician as to the installation of the fitting. Install in accordance with current IEE wiring regulations. It is recommended that this fitting is installed by a qualified electrician.
2. Ensure that the electrical supply is OFF. Disconnect the electrical supply at the fuse-board.
3. If removing an existing fitting first, note all wiring connections: record which of the house wires is connected to the live, neutral and earth terminals.
4. Carefully identify where the supply cable is (and check there are no other cables in the area) to avoid damage to concealed wiring during installation.
5. Position the light where desired ensuring that there is suitable support adjacent to where you will connect to the house supply and mark position of fixing holes, before drilling appropriate holes as below.
6.
  - a. Brick or masonry: Drill holes into which the wall plugs tightly fit, then insert wall plugs.
  - b. Wood: No hole necessary (unless small pilot hole required), screws can be screwed directly into the timber.
  - c. Plaster/Cavity: Special cavity wall fittings are required, rather than provided fixings. These are widely available from good hardware or DIY store and should come with their own instructions that must be followed. It may be easier to relocate the fitting so that you screw directly into a timber joist or beam.
7. Once desired drop determined, adjust the flex length accordingly. Consult an electrician if in any doubt.
  - Use wire cutters to cut flex at desired length and then remove 30mm of the cotton braid and outer insulation (making sure no damage occurs to the interior cables). Apply electrical tape around the end of the cotton braid to prevent fraying.
  - Refer to the diagram inside for cable preparation guidance.
8. Support the fitting so that no strain is applied to the wiring when making the electrical connections. If necessary get a colleague to help.
9. Electrical connection: this light fitting is must be earthed. Make connections using the connector block, following the diagram below. A small flat-head screwdriver is required.



10. Double check all the connections are secure and that no loose strands of wire are left out of the connector. Ensure that the lid of the connector block is closed firmly and no loose strands of wire remain outside.
11. Check that no wires are trapped behind or within the fitting and complete the installation, see hanging instructions inside.
12. Fit the correct type and wattage of lamp (or less). Be careful not to overtighten the lamp.
13. Switch on at the fuse-board. Your light fitting is now ready for use.

### Other Important Information

Switch off at mains before changing lamp(s). Never fit a lamp of greater wattage than recommended. Ensure children do not play with the light fitting. Dispose of old lamps carefully. Never leave a fitting without a lamp in position (or someone can accidentally touch the contacts). Adjust fitting only when power to the fitting is off and has been left to cool. If the external flexible cable or cord of this luminaire is damaged, it shall be exclusively replaced by the manufacturer or his service agent or a similar qualified person in order to avoid a hazard. For use in a dry, indoor environment only. Ensure the fitting does not come into contact with any liquids.

### Cleaning and Maintenance

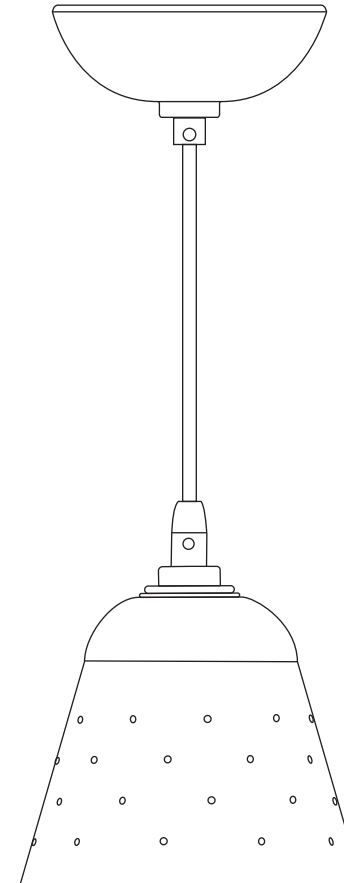
All brass components can be cleaned with a metal polish to remove tarnishing. Bone china can be cleaned by hand, using a soft damp cloth with a diluted mild detergent (nonabrasive) if necessary. The painted metal components can be cleaned with a soft dry cloth. Switch off power to the fitting before cleaning.

Established in 1990, Original BTC manufactures relaxed, familiar lighting for traditional and contemporary homes. All products are hand-assembled in Oxfordshire from high quality components, produced in the UK.

ORIGINALBTC.COM  
 +44 (0)1993 882 251  
 UNIT 21 / 22 AVENUE ONE, STATION LANE, WITNEY, OX28 4XZ, ENGLAND



ORIGINAL BTC x BEATA HEUMAN



# Alma Pendant Light

| 230V AC 50Hz | IP20 |

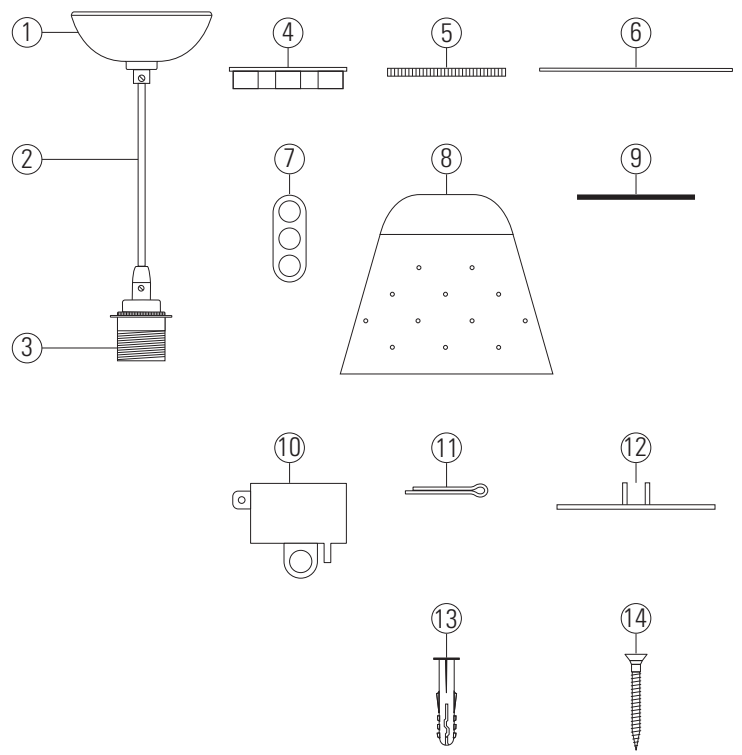
- FP701N Alma Pendant Light, Natural
- FP701R Alma Pendant Light, Coral
- FP701G Alma Pendant Light, Seaweed

LAMP GUIDANCE : NB lamp not included

BASE	SHAPE	TYPE	WATTAGE*
E27	GLS	LED	6W (recommended)
		Incandescent	40W Max

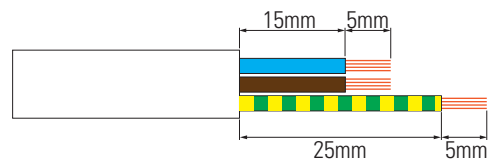
\* Wattage value provided as a guide to suitable lamps. Lower wattage than stated may be used. 2700K (warm white) recommended.

## Contents



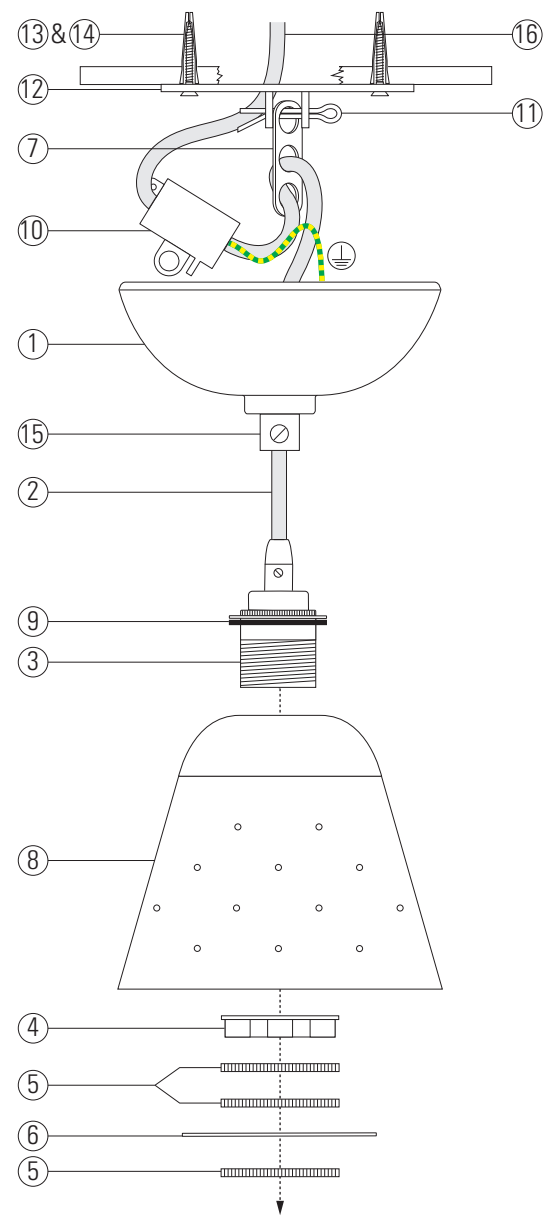
- ### Contents
- 1 Ceiling rose
  - 2 Luminaire flex
  - 3 Lampholder
  - 4 Plastic shade ring
  - 5 Brass shade ring (x3)
  - 6 Brass shade disc
  - 7 3-Hole cord grip
  - 8 Shade
  - 9 Rubber gasket
  - 10 Connector block
  - 11 Cotter pin
  - 12 Fixing bracket
  - 13 Rawl plug (x2)
  - 14 Fixing screw (x2)

## Supply Cable Preparation



Please prepare the supply cable as shown. Note the maximum conductor size 1.5mm<sup>2</sup>.

## Installation Diagram



### Key

1 Ceiling rose	9 Rubber gasket
2 Luminaire flex	10 Connector block
3 Lampholder	11 Cotter pin
4 Plastic shade ring	12 Fixing bracket
5 Brass shade ring	13 Rawl plug
6 Brass shade disc	14 Fixing screw
7 3-Hole cord grip	15 Grub screw cord grip
8 Shade	16 Main supply*

*\*Not supplied*

## Installation Instructions

Refer to the diagrams & read the Safety & Installation instructions overleaf.

**Take care when handling ceramic products during installation.**

- STEP 1** - Read all the instructions on the back page.
- STEP 2** - Mark and drill suitable holes, refer to points 1 to 6 on the back page.
- STEP 3** - Secure the fixing bracket (12) to the ceiling using the screws (14) & rawl plugs (13) provided, or suitable alternatives as described in point 6 on the back page.
- STEP 4** - Shorten the cable, if desired. Refer to point 7 on the back page & the diagram on the opposite page.
- STEP 5** - Feed the luminaire flex (2) through the middle then bottom holes of the 3-hole cord grip (7).
- STEP 6** - Secure the 3-hole cord grip to the fixing bracket using the cotter pin (11). Bend back one of the arms of the pin to prevent it from sliding out of place.
- STEP 7** - Make the electrical connections, using the connector block (10) provided and referring to points 8 to 10 on the back page.
- STEP 8** - Push the ceiling rose (1) flush against the ceiling and secure in place by tightening the grub screw cord grip (15).
- STEP 9** - Assemble the shade (8) as shown. The black plastic shade ring (4) is used as a spacer and is secured with the first brass shade ring (5). The brass shade disc (6) is secured between the remaining two shade rings.

PLEASE READ THE INSTRUCTIONS ON THE REVERSE BEFORE YOU BEGIN INSTALLING YOUR LIGHT