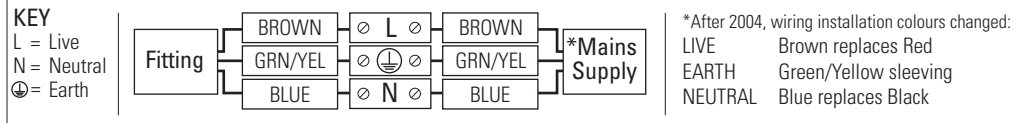


Safety & Installation Instructions

These instructions are provided for your safety in order to prevent the risk of Fire, Electric shock or Injury. It is vitally important that they are read in their entirety before installing your fitting. Please retain for future reference.

1. If you are in any doubt consult a qualified electrician as to the installation of the fitting. Install in accordance with current IEE wiring regulations. It is recommended that this fitting is installed by a qualified electrician.
2. Ensure that the electrical supply is OFF. Disconnect the electrical supply at the fuse-board.
3. If removing an existing fitting first, note all wiring connections: record which of the house wires is connected to the live, neutral and earth terminals.
4. Carefully identify where the supply cable is (and check there are no other cables in the area) to avoid damage to concealed wiring during installation.
5. Position the light where desired ensuring that there is suitable support adjacent to where you will connect to the house supply and mark position of fixing holes, before drilling appropriate holes as below.
6.
 - a. Brick or masonry: Drill holes into which the wall plugs tightly fit, then insert wall plugs.
 - b. Wood: No hole necessary (unless small pilot hole required), screws can be screwed directly into the timber.
 - c. Plaster/Cavity: Special cavity wall fittings are required, rather than provided fixings. These are widely available from good hardware or DIY store and should come with their own instructions that must be followed. It may be easier to relocate the fitting so that you screw directly into a timber joist or beam.
7. Support the fitting so that no strain is applied to the wiring when making the electrical connections. If necessary get a colleague to help.
8. Electrical connection: this light fitting must be earthed. Make connections following the diagram below. A small flat-head screwdriver is required. The connection must be made within a suitable enclosure, which should be installed inside the mounting surface (making a suitable recess if necessary).



9. Double check all the connections are secure and that no loose strands of wire are left out of the connector. Cover the connection and 25mm either side using a good quality insulation tape.
10. Check that no wires are trapped behind or within the fitting and complete the installation, referring to the Installation diagram inside.
11. Fit the correct type and wattage of lamp (or less). Be careful not to overtighten the lamp.
12. Switch on at the fuse-board. Your light fitting is now ready for use.

Other Important Information

Switch off at mains before changing lamp(s). Never fit a lamp of greater wattage than recommended. Ensure children do not play with the light fitting. Dispose of old lamps carefully. Never leave a fitting without a lamp in position (or someone can accidentally touch the contacts). Adjust fitting only when power to the fitting is off and has been left to cool. If the electrical flex or electrical components become damaged at any point, power to the fitting should be disconnected immediately and not operated until the damaged parts are fixed/replaced. For use in a dry, indoor environment only. Ensure the fitting does not come into contact with any liquids.

Cleaning and Maintenance

Metal finishes should only be cleaned with a soft, dry cloth. Do not use polishes or abrasives. Bone china can be cleaned by hand, using a soft damp cloth with a diluted mild detergent (nonabrasive) if necessary. Switch off power to the fitting before cleaning.

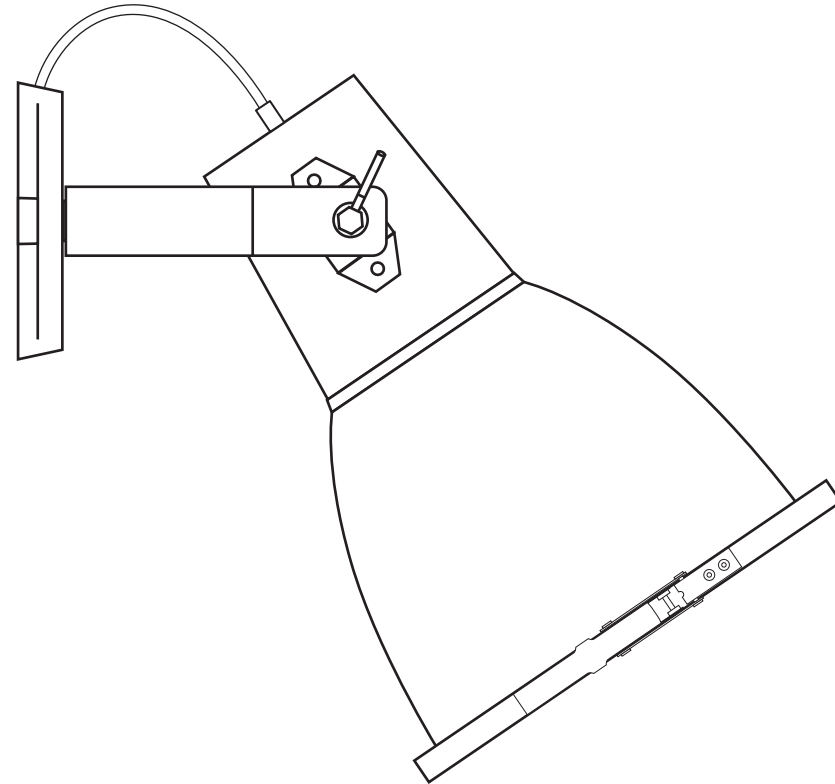
Established in 1990, Original BTC manufactures relaxed, familiar lighting for traditional and contemporary homes. All products are hand-assembled in Oxford from high quality components, produced in the UK.

ORIGINALBTC.COM

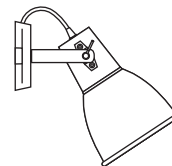
+44 (0)1993 882 251

UNIT 21 / 22 AVENUE ONE, STATION LANE, WITNEY, OX28 4XZ, ENGLAND

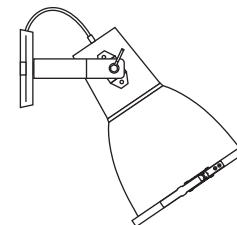
Original BTC Stirrup Wall



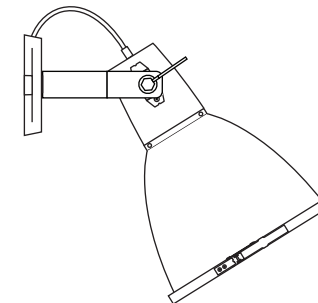
Size 1



Size 2



Size 3





Instructions

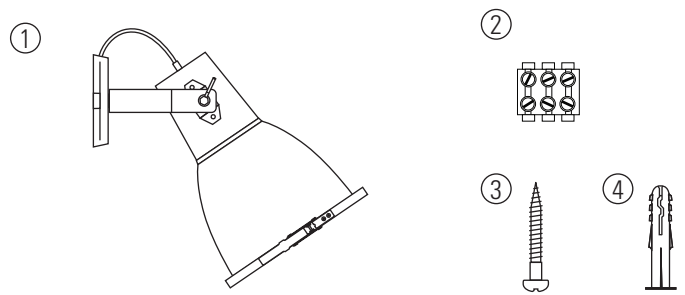
| 230V ac 50Hz | IP20

FW 179 Stirrup Size 1/FW 520 Stirrup Size 2/FW 078 Stirrup Wall Size 3

Inspired by the searchlight on the back of a toy lorry, the Stirrup collection is the ultimate in industrial chic. Positionable shades allow greater flexibility, enabling the user to direct the light where desired. A frosted glass visor on the Size 2 & 3 prevents glare and provides a softer, more diffused light.

LAMP GUIDANCE Stirrup Wall					
BASE	SHAPE	TYPE*	WATTAGE**		
			Size 1	Size 2	Size 3
 E27	 R80* GLS BALL *Stirrup 1 only	INCANDESCENT ✓	60W R80 MAX	60W MAX	100W MAX
		CFL ✓	11W	13W	20W
		ECO-HALOGEN ✗	n/a	n/a	n/a
		LED ✓	9W	12W	18W

* Warm white (2700k) low energy lamps recommended.
** Wattage value provided as a guide to suitable lamps. Lower wattage than stated may be used.



Packing List

- 1 - Stirrup Wall Light
- 2 - Connector block
- 3 - 2 x fixing screws
- 4 - 2 x rawl plugs

Required for Installation

- Screwdriver
- Small flat-head screwdriver
- Drill

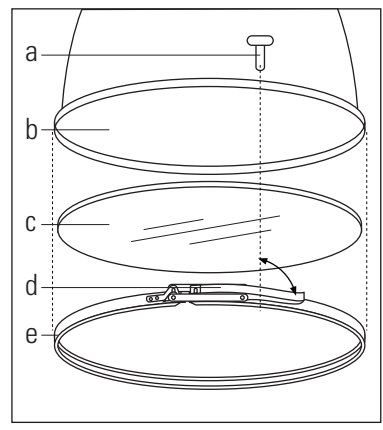
Visor Instructions

Stirrup Size 2 & Size 3 are supplied fitted with a frosted glass visor. Prior to installation and re-lamping, this should be removed:

- Remove tab (a) from clip (d).
- Whilst supporting the glass (c) with one hand, undo clip to remove glass.

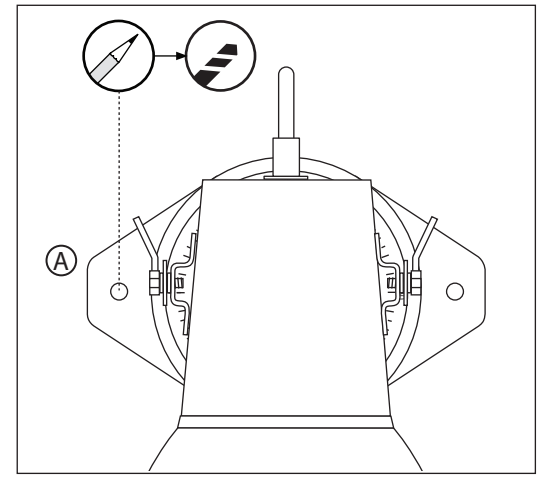
Install fitting as described on opposite & reverse pages, then fit visor to fitting:

- Hold the glass in place against the opening of the reflector (b),
- Close the clip to close the visor band (e) around the rim of the reflector and the underside of the glass, so the visor band supports the glass. Make sure the band secures only around the rim as it could mark the shade if lined up incorrectly.
- Insert tab into clip, bending top and bottom around clip to hold visor band securely to the reflector.

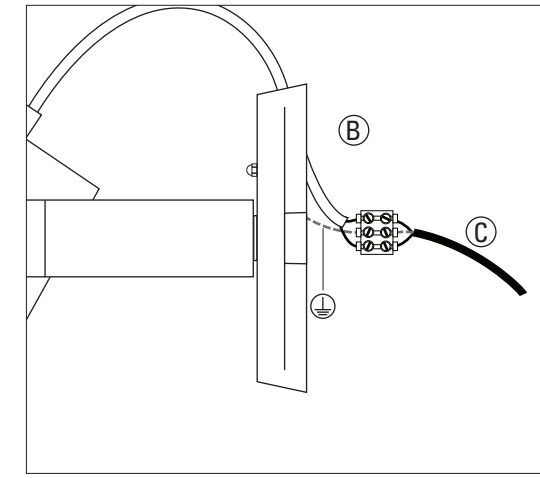


Assembly & Installation Instructions

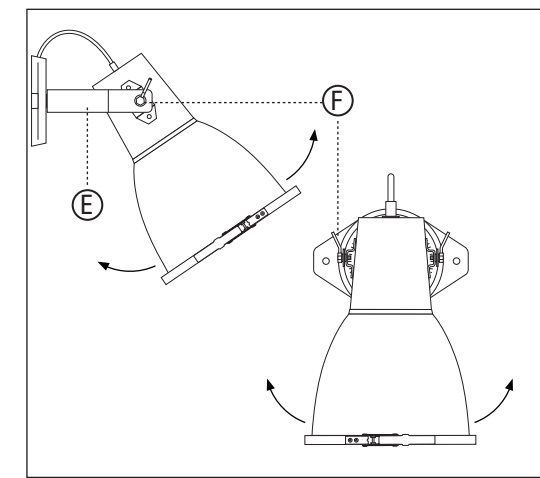
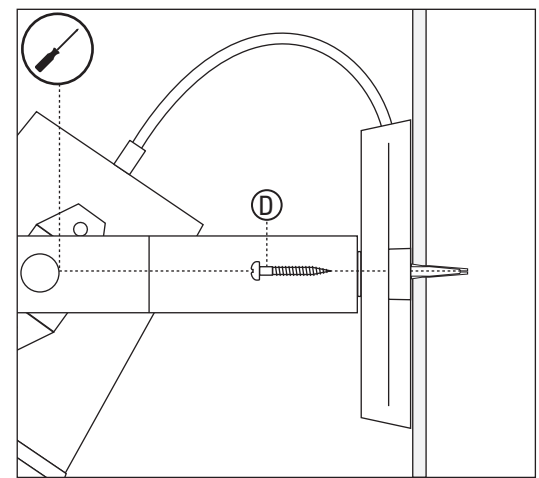
STEP 1



STEP 2



STEP 3



- (A) Back plate
- (B) Connector block
- (C) Main supply
- (D) Fixing screws
- (E) Bracket
- (F) Tail bolt

- STEP 1 Mark fixing holes through wall plate (A) before drilling holes, see point 5 on reverse.
- STEP 2 Make electrical connection, see points 7 to 11 on reverse page.
- STEP 3 Screw back plate to wall.
- STEP 4 Fit lamp, then reattach glass visor if applicable (see instructions opposite).
- STEP 5 Fitting now ready for operation. The angle of the shade may be rotated and tilted up and down:
 - To rotate, swivel the bracket (E)
 - To tilt, loosen the tail bolt (F), move reflector, then secure position by tightening tail bolt.

PLEASE READ THE INSTRUCTIONS ON THE REVERSE BEFORE YOU BEGIN INSTALLING YOUR LIGHT